


vola<sup>®</sup>

VOLA Round Series.  
Discreetly efficient. Visibly VOLA.





Our waste bin and paper tissue dispenser may be new, but they follow a longstanding principle. Demonstrating how we relish change while respecting continuity, they're based on the classic VOLA design. As always, in keeping with our design principles, the technical parts are hidden from view.

The first products in the new VOLA Round Series, the bathroom waste bin and paper tissue dispenser, are designed for the bathrooms of prestigious houses and luxury apartments and can be specified for washrooms in hotels, restaurants, office buildings and cultural destinations such as galleries, museums and theatres.

Together, the new additions to our range show that new ideas combined with lasting values can create a balance between revolution and evolution. More practically, they confirm that bathrooms and washrooms can now be totally VOLA.

**No compromise. Nothing but VOLA.**

Built-in/flush paper tissue dispenser and waste bin finished in white with chrome ring surround.



**Pure, 100% VOLA.**

The design of the Round Series is centred on the circle, a key feature of the VOLA design. Never ending, the circle points in all directions, creating a visually strong element in the room.

Based on the classic VOLA design, the new products translate the circle into new dimensions, with a ring enclosing a cylinder. This ring is finished in high-polished chrome or brushed stainless steel combined with white or black fronts. For larger projects, the fronts can be supplied in any colour and the fronts can be changed to an alternative colour in later renovations.

The end result is a series of products creating a reference point to the VOLA taps and accessories in the room.

True to tradition, the VOLA Round Series waste bin is unobtrusive, with the less aesthetically pleasing elements built into the wall. It can be opened by gently pushing the front with a hand or knee. The open/close mechanism is smooth and silent. The built-in waste bin, VOLA RS1, holds up to 30 paper tissues.

The bin is easy to empty and with no floor contact, need not be moved for cleaning.







Alternative mounting of built-in waste bin into pillars on either side of the wash basins.



Far left:  
The waste bin can be mounted near floor level for use as a sanitary towel bin.

Left:  
Alternative mounting of built-in waste bin into each side of the wooden decktop.



The retrofit version of the VOLA waste bin is as elegant as the built-in bin. Creating the same harmonious interior design, it fulfils its function in a discreet, stylish way. This small retrofit waste bin, VOLA RS3, holds up to 90 paper tissues.

Retrofit waste bin finished in white with brushed steel ring surround.





Based on the classic VOLA design, the paper tissue dispenser, RS2, has a stainless steel rim enclosing a cylinder built into the wall. The cylinder, holding up to 100 paper tissues, is white plastic with a silky-soft, smooth surface. A concealed spring makes sure the tissues are always pushed to the front.

The products of the new VOLA Round Series are suitable for locations where total cohesion between architecture and design must be achieved. These important places include washrooms in hotels, restaurants, office buildings and cultural destinations such as galleries, museums and theatres.

Built-in/flush paper tissue dispenser finished in white with chrome ring surround and retrofit waste bin finished in white with chrome ring surround.





**The VOLA Round Series for the corporate washroom**  
The large retrofit waste bin, VOLA RS4,  
holds up to 250 paper tissues.

Built-in/flush paper tissue dispenser  
finished in black with brushed steel  
ring surround and large retrofit waste  
bin finished in black with brushed steel  
ring surround.



Washroom staff can easily see if the dispenser needs refilling and new paper tissues can be simply inserted by pulling the cylinder forward.

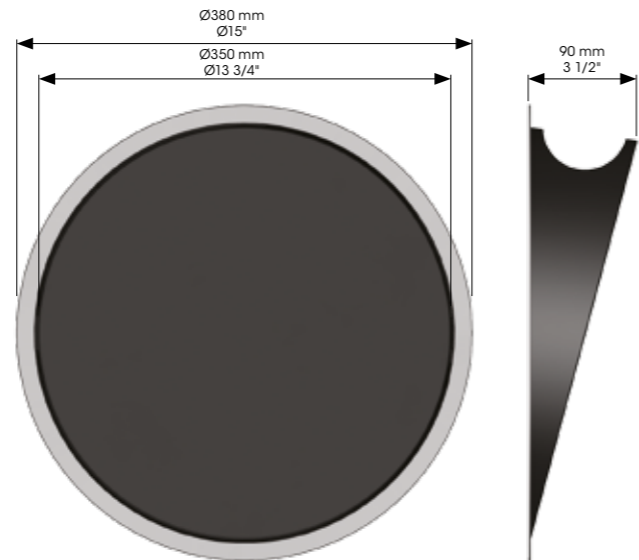
Built-in/flush paper tissue dispenser finished in black with brushed steel ring surround and large retrofit waste bin finished in black with brushed steel ring surround.



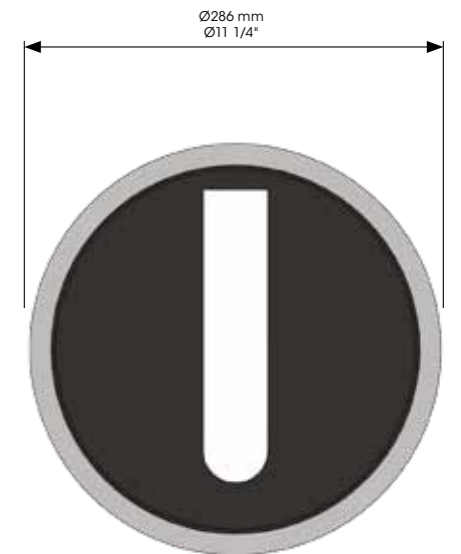
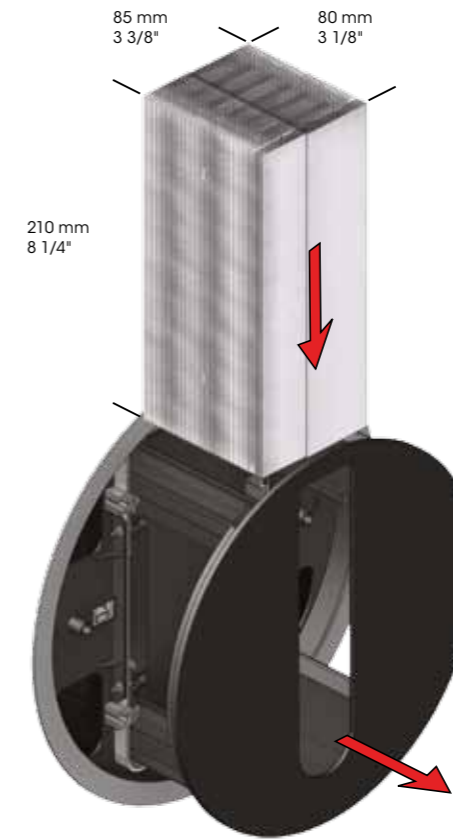
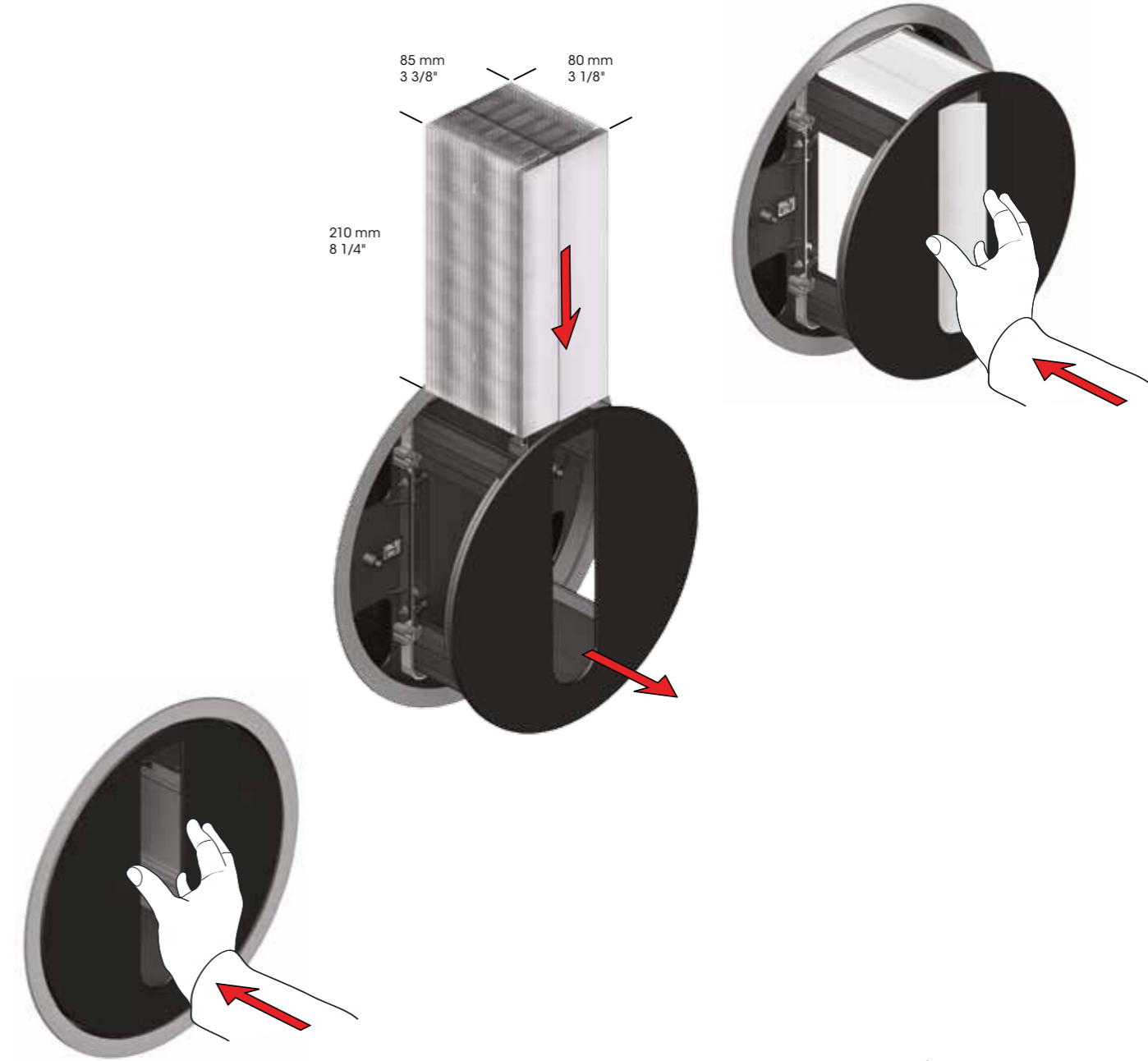


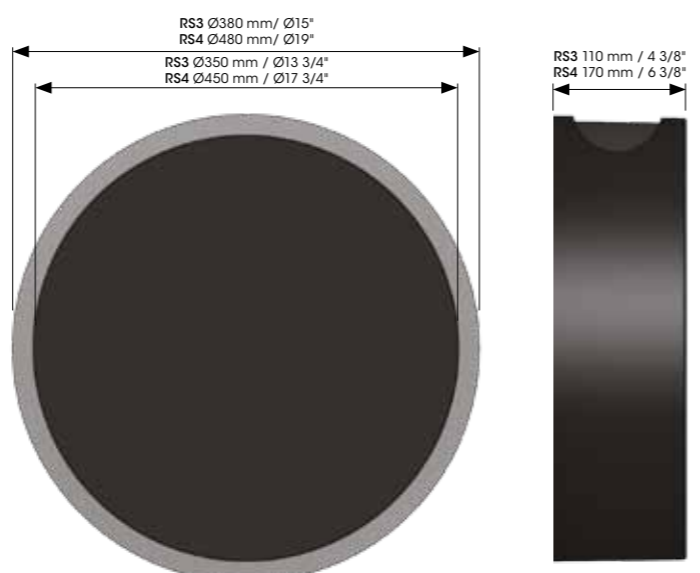
VOLA Round Series is about more than beautiful design. The technical side is just as important and the new products are classic examples of carefully prepared technical solutions. The products of VOLA Round Series are easy to install, easy to empty and easy to refill. Every detail is considered.

**VOLA RS1 Built-in waste bin**



**VOLA RS2 Built-in paper tissue dispenser**





**VOLA RS1 Built-in waste bin**  
 Built-in depth: 150 mm  
 Diameter including ring: 380 mm  
 Capacity: 2.5 Liter/20-30 tissues

- The visual part consists of:
- Ring material – High polished chrome or brushed stainless steel
  - Frontplate colour – black or white
  - Material container PC/ABS laquered



**VOLA RS2 Built-in tissue dispenser**  
 Built-in depth: 150 mm  
 Diameter including ring: 286 mm  
 Capacity: 80-100 tissues  
 Type: Tork, Katrin, Lotus, Abena  
 Size: 85 mm x 205 mm

- The visual part consists of:
- Ring material – High polished chrome or brushed stainless steel
  - Frontplate colour – black or white
  - Material container PC/ABS laquered



**VOLA RS3 Retrofit waste bin**  
 Depth: 110 mm  
 Diameter including ring: 380 mm  
 Capacity: 8 Liter/60-90 tissues

- The visual part consists of:
- Ring material – High polished chrome or brushed stainless steel
  - Surface – black or white
  - Material container PC/ABS laquered



**VOLA RS4 Retrofit waste bin**  
 Depth: 170 mm  
 Diameter including ring: 480 mm  
 Capacity: 22 Liter/150-250 tissues

- The visual part consists of:
- Ring material – High polished chrome or brushed stainless steel
  - Surface – black or white
  - Material container PC/ABS laquered



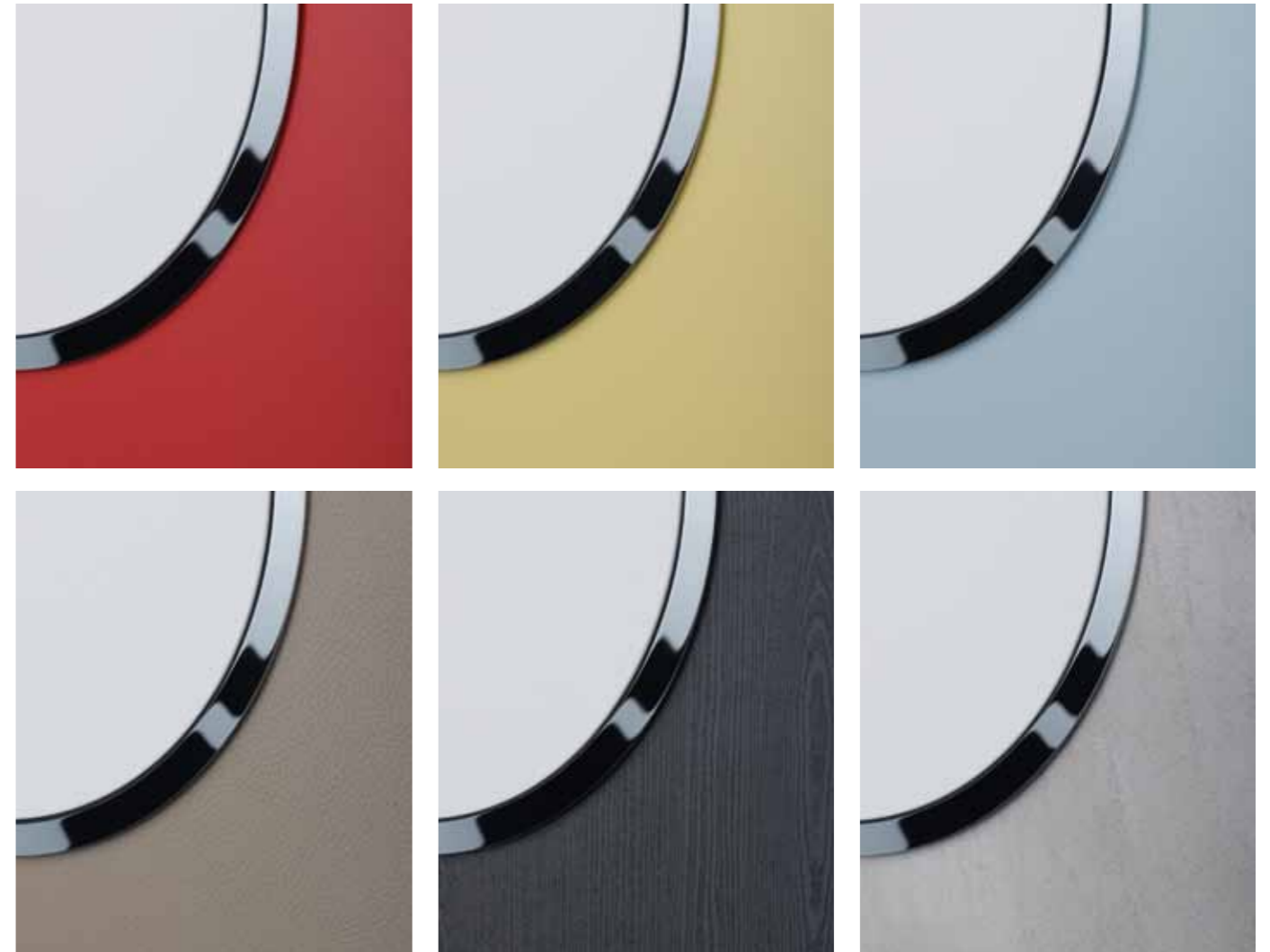
### Individual design solutions

As the Round Series is a modular system the architect or interior designer can create an individual design solution adapted to the project and the needs of the building owner.

The products of the Round Series can play a discreet part in the room if the front and wall colours are the same. Depending on the wall texture and size of the room, they may also be chosen in a colour, that creates a more prominent design feature, giving the room a special character.

### Material

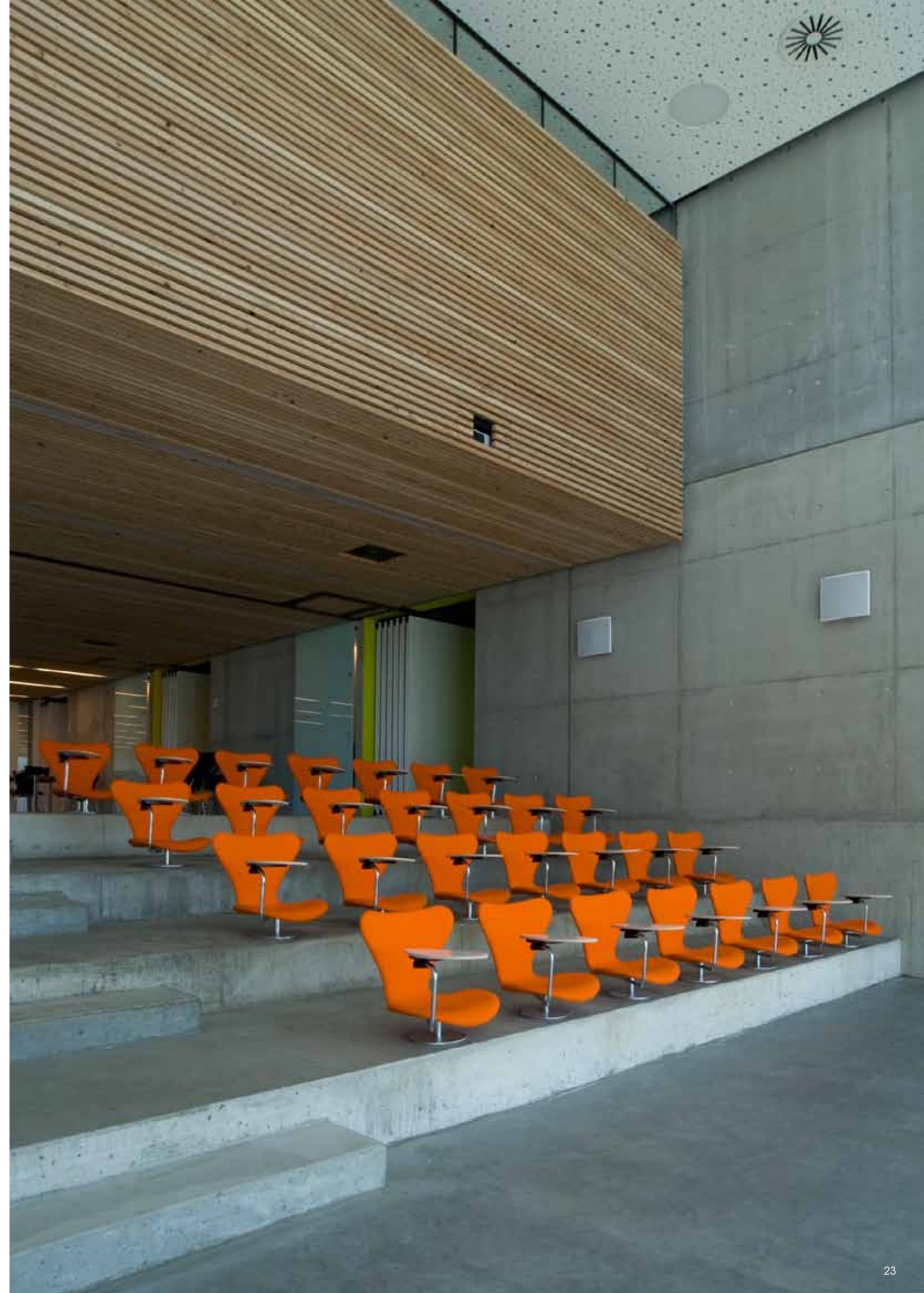
The front of the waste bin and paper dispenser is made from a high quality PC/ABS material used in the electronic and automobile industry. It withstands humidity and is fire resistant (class UL94 VO).



**VOLA, as far as the eye can see**

We continually refresh our timeless design. We will never revise its classic proportions. The extended VOLA range remains true to our design principles and lasting values.

These principles and values are part of the curriculum at the VOLA Academy, where carefully selected specialist installers study every aspect of the VOLA product range and its applications. Architects and interior designers also meet at the academy to discuss common issues.



VOLA would like to thank the following locations for their co-ordination in presenting the new Round Series:

**NEO Bankside, London SE1**

A joint venture luxury residential development by Native Land and Grosvenor, designed by Rogers Stirk Harbour + Partners.

**Blue Fin Building, London SE1**

The headquarters of IPC Media designed by Allies and Morrison.

**Blackall Studios, London SE2**

A gallery and event space for the international art community.



**VOLA UK Ltd.**

Unit 12, Ampthill Business Park  
Station Road, Ampthill  
Bedfordshire MK45 2QW  
Tel.: 01525 84 11 55  
Fax: 01525 84 11 77  
sales@vola.co.uk  
www.vola.co.uk

**VOLA Studio**

32-36 Great Portland Street  
London W1W 8QX  
Tel.: 020 7580 7722  
Fax: 020 7580 7733  
sales@vola.co.uk  
www.vola.co.uk

**VOLA A/S**

Lunavej 2  
DK-8700 Horsens  
Tel.: +45 7023 5500  
Fax +45 7023 5511  
sales@vola.dk  
www.vola.com

Celebrating change. Celebrating continuity

**AUSTRALIA**

dedece  
263 Liverpool Street  
Darlinghurst  
NSW 2010 Sydney  
Tel: 2 9360 2722  
Fax: 2 9356 4042  
info@dedece.com www.dedece.com

**BELGIË**

VOLA bvba  
Tour & Taxis  
Havenlaan 86C  
1000 - Brussels  
Tel: 03 440 46 19  
Fax: 03 448 22 04  
sales@vola.be  
www.vola.be

**CANADA**

Ginger's Bath  
95 Ronald Ave.  
Toronto, Ontario  
M6B 4L9  
Tel: 416-787-1787  
Fax: 416-787-1748  
gingers@gingersbath.com  
www.elte.com

**CHINA**

Badeluxe Trading Limited  
Unit D4, Basement 3  
COFCO Plaza  
No. 8 Jian Guo Men Nei Avenue  
Dong Cheng District  
Beijing 100005 China  
Tel: (86) 010 6526 1363  
Fax: (86) 010 6526 1373  
info@badeluxe.com

**DANMARK**

VOLA A/S  
Lunavej 2  
8700 Horsens  
Tel: + 45 70 23 55 00  
Fax: + 45 70 23 55 11  
sales@vola.dk  
www.vola.dk

**DEUTSCHLAND**

VOLA GmbH  
Schwanthaler Straße 75A  
80336 München  
Tel: 089/599959-0  
Fax: 089/599959-90  
vola@vola.de  
www.vola.de

**ESPAÑA**

DEE  
Carrer del Pallars, 6 - 4ª 1ª  
E-08402 Granollers, Barcelona  
Tel: +34 972 105 535  
Fax: +34 931 138 585  
iconico@iconico.es  
www.vola.es

**ESTONIA**

Hals Interiors OÜ  
Kadaka tee 42H  
12915 Tallinn  
Tel: 71 514 10  
Fax: 71 514 11  
hals@hals.ee  
www.hals.ee

**FRANCE**

sopha industries  
44, rue Blanche  
75009 Paris  
Tel: 01 42 81 25 85  
Fax: 01 40 16 45 18  
sopha@sopha.fr  
www.sopha.fr

**GREAT BRITAIN**

VOLA UK Ltd.  
Unit 12, Ampthill Business Park  
Station Road, Ampthill  
Bedfordshire MK45 2QW  
Tel: 01525 84 11 55  
Fax: 01525 84 11 77  
sales@vola.co.uk  
www.vola.co.uk

**HELLAS**

moda bagno s.a.  
50 Anapafseos Street  
Vrilissia 15 235, Athens  
Tel: 210 8036700  
Fax: 210 8049408  
Fax: 210 8046987  
info@modabagno.gr  
www.modabagno.gr

**HONG KONG**

portfolio group limited  
Room A, 10/F,  
Seabright Plaza  
9-23 Shell Street  
Hong Kong  
Tel: 28 680 765  
Fax: 25 247 887  
sales@pgltd.com.hk

**H2O Pro Ltd.**

16/F First Commercial Building,  
33 Leighton Road  
Causeway Bay  
Tel: 852 2891 6860  
Fax: 852 2834 3029  
info@h2opro.com.hk  
www.ebon.com.hk

**ISLAND**

Tengi ehf.  
Smidjuvegur 76  
200 Kópavogur  
Tel: 414-1000  
Fax: 414-1001  
www.tengi.is

**ITALIA**

RAPSEL Spa  
Via Volta, 13  
20019 Settimo Milanese (MI)  
Tel: 02.33.55.981  
Fax: 02.33501306  
rapssel@rapsel.it  
www.rapssel.it

**KOREA**

E.L. System Co. Ltd.  
Jaemyoung B/D  
893-12  
Bangbae 1dong  
Seocho-Gu  
Seoul  
Tel: 82-2-598-4517  
Fax: 82-2-521-3786

**KYPRIAKI DIMOKRATIA**

S.C. Nicolaidis Ltd.  
3, Gregoriou Karekla str.  
Strovolos  
P.O. Box 21703  
1512 Nicosia  
Tel: 22 813 200  
Fax: 22 424 803  
info@oikia.com.cy

**LATVIA**

Hals Trading Ltd.  
Antenas str. 3  
1004, Riga  
Tel: 7629561  
Fax: 7627190  
info@halstrading.lv  
www.hals.ee

**LEBANON**

Geahchan Group  
Sin El Fil  
Geahchan Building  
Hayek Round About  
Beirut  
Tel: 01. 480 520  
Fax: 01. 496 607  
info@geahchangroup.com  
www.geahchangroup.com

**MEXICO**

Productos de Latón  
de Alta Calidad SA de CV  
General Juan Cano 27 1  
San Miguel Chapultepec  
MX-11850 México D.F.  
Tel: 01800 2253946  
Fax: 01(55) 2614 9312  
placsadecv@hotmail.com  
www.gzdisi.biz/vola/vola.html

**NEDERLAND**

VOLA Sanitair BV  
Valkenburgerstraat 23  
1011 MG Amsterdam  
Tel: 020 36 56 356  
Fax: 020 36 56 482  
info.nl@vola.com  
www.vola.com

**NIPPON**

Cera Trading Co., Ltd  
TOTO Nogizaka BLDG., 1-24-3  
Minami Aoyama  
Minato-ku  
TOKYO 107-0062  
Tel: +81-3-3402-6151  
Fax: +81-3-3402-7185  
www.cera.co.jp

Fuji Design Corporation  
3-15-14 Higashi-Ikebukuro  
Toshima-Ku  
Tokyo 170-0013  
Tel: 03-3983-2251  
Fax: 03-3988-8320  
inf@fujid.com  
www.fujid.com

**NORGE**

shelby teknikk as  
Strandgaten 55  
4370 Egersund  
Tel: 51 46 18 00  
Fax: 51 46 18 01  
post@shelby.no  
www.shelby.no

**ÖSTERREICH**

VOLA Vertriebs GmbH  
Kandlgasse 19  
1070 Wien  
Tel: 01/526 39 71-0  
Fax: 01/526 39 71-20  
info@vola.at  
www.vola.at

**PORTUGAL**

CARVALHO, BATISTA & Ca, Sa.  
Rua do Almada  
29-79-89 - Apartado 4784  
4013-001 Porto  
Tel: 22 339 21 26 / 7 / 9  
Fax: 22 205 96 11  
carvalhobatista@mail.telepac.pt  
www.carvalhobatista.pt

**SCHWEIZ**

VOLA AG  
Müllistr. 18  
8320 Fehraltorf  
Tel: 044/955 18 18  
Fax: 044/955 18 19  
sales@vola.ch  
www.vola.ch

**SINGAPORE**

VolumeFive Pte Ltd.  
51 Anson Road,  
#01-53 Anson Centre,  
Singapore 079904  
Tel: +65 6348 2508  
Fax: +65 6348 2507  
sales@volumefivehome.com

**SLOVENIA**

Moderna d.o.o.  
Peričeva 31  
SI-1000 Ljubljana  
Tel: +386 590 200 95  
Fax: +386 236 21 83  
info@moderna.si  
www.moderna.si

**SOUTH AFRICA**

Still the bathroom gallery  
Unit 111A, The Foundry  
74 Prestwich Str.  
Green Point Cape Town  
South Africa 8001  
Tel: 021 421 9970/2  
Fax: 021 421 9971  
info@stillbathrooms.co.za  
www.stillbathrooms.co.za

**SUOMI**

INNO-TUOTE OY  
TÄHDENLENNONTIE 9  
02240 ESPOO  
Tel: (0) 9 8870 380  
Fax: (0) 9 8870 3833  
info@innointerior.fi  
www.inno.fi

**SVERIGE**

VOLA ab  
Ruddammsgatan 14, 2  
S-803 20 Gävle  
Tel: 026-140230  
Fax: 026-140231  
sales@vola.se  
www.vola.se

**UNITED ARAB EMIRATES**

Sanipex LLC  
Sheik Zayed Road  
P.O. Box 30871  
Dubai  
Tel. 971 4 339 5660  
Fax 971 4 339 5671  
www.sanipexdubai.com

**UNITED STATES**

Hastings Tile and Bath Collection  
30 Commercial Street  
Freeport, NY 11520  
Tel: 516-379-3500 / 800-351-0038  
Fax: 516-223-8495  
vola@hastings30.com  
www.hastings30.com